



1. The number of vertices in a cube/cuboid are  
(i) 5 (ii) 8 (iii) 10 (iv) 9 (v) 7

2. The number of faces in a cube/cuboid are  
(i) 7 (ii) 3 (iii) 8 (iv) 5 (v) 6

3. The number of edges in a cube/cuboid are  
(i) 13 (ii) 15 (iii) 12 (iv) 10 (v) 11

4. The number of vertices in a triangular prism are  
(i) 9 (ii) 3 (iii) 5 (iv) 6 (v) 7

5. The number of faces in a triangular prism are  
(i) 4 (ii) 8 (iii) 5 (iv) 6 (v) 2

6. The number of edges in a triangular prism are  
(i) 8 (ii) 10 (iii) 12 (iv) 6 (v) 9

7. The number of vertices in a triangular pyramid are  
(i) 4 (ii) 7 (iii) 3 (iv) 2 (v) 5

8. The number of faces in a triangular pyramid are  
(i) 7 (ii) 3 (iii) 4 (iv) 5 (v) 2

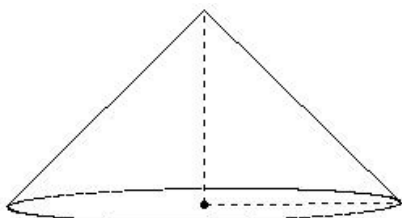
9. The number of edges in a triangular pyramid are  
(i) 5 (ii) 4 (iii) 9 (iv) 7 (v) 6

10. The number of vertices in a square pyramid are  
(i) 4 (ii) 5 (iii) 3 (iv) 6 (v) 8

11. The number of faces in a square pyramid are  
(i) 5 (ii) 7 (iii) 6 (iv) 4 (v) 3

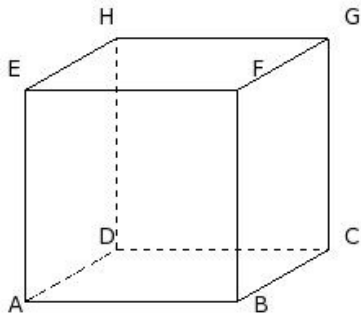
12. The number of edges in a square pyramid are  
(i) 7 (ii) 9 (iii) 10 (iv) 8 (v) 6

13. Identify the figure below



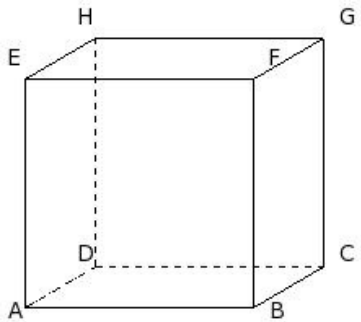
(i) cube (ii) sphere (iii) cone (iv) cylinder (v) triangular prism

14. Identify the figure below



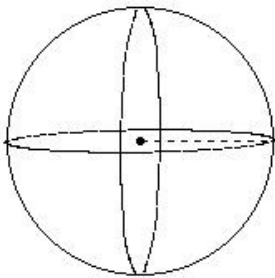
(i) triangular prism (ii) cylinder (iii) cuboid (iv) cube (v) cone

15. Identify the figure below



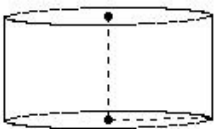
(i) cone (ii) sphere (iii) cuboid (iv) cube (v) triangular prism

16. Identify the figure below



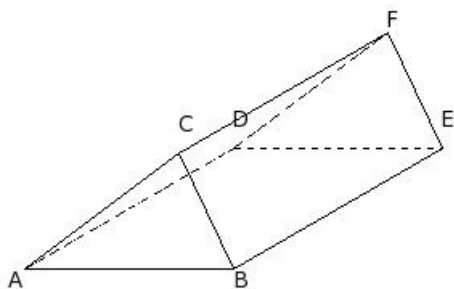
(i) sphere (ii) triangular prism (iii) cylinder (iv) cuboid (v) cube

17. Identify the figure below



(i) cuboid (ii) cube (iii) triangular prism (iv) cylinder (v) cone

18. Identify the figure below



(i) sphere (ii) triangular prism (iii) cylinder (iv) cube (v) cuboid

## Assignment Key

1) (ii)	2) (v)	3) (iii)	4) (iv)	5) (iii)	6) (v)
7) (i)	8) (iii)	9) (v)	10) (ii)	11) (i)	12) (iv)
13) (iii)	14) (iv)	15) (iii)	16) (i)	17) (iv)	18) (ii)