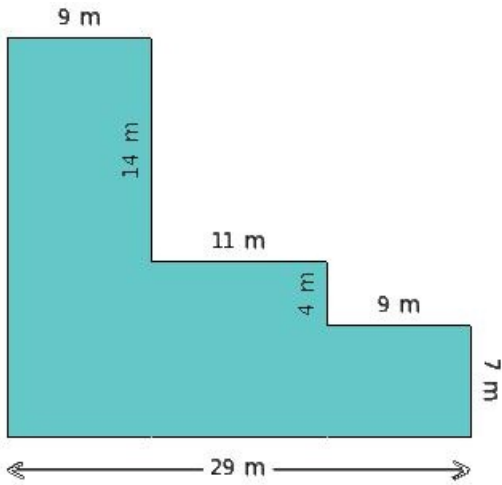


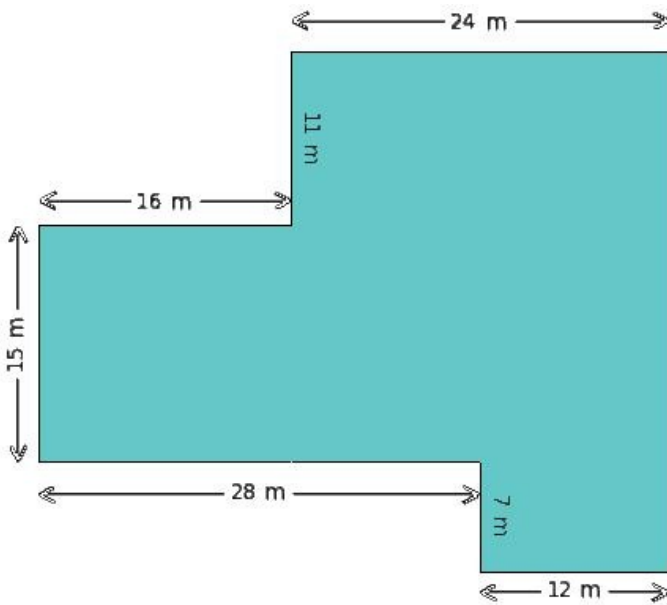


1. Find the area of the shaded region given below



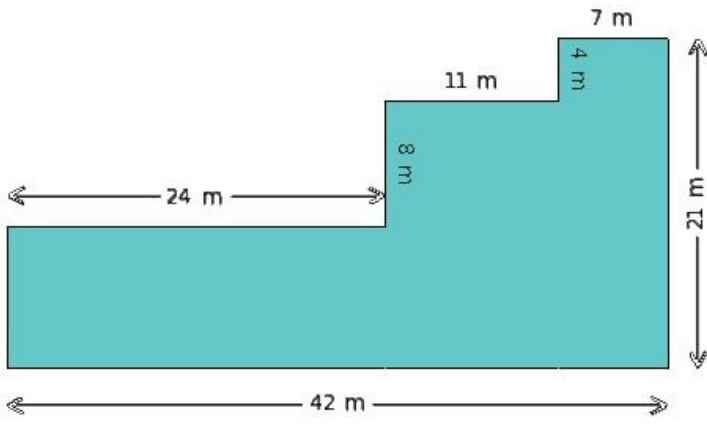
- (i) 391.00 sq.m (ii) 409.00 sq.m (iii) 386.00 sq.m (iv) 417.00 sq.m (v) 433.00 sq.m

2. Find the area of the shaded region given below



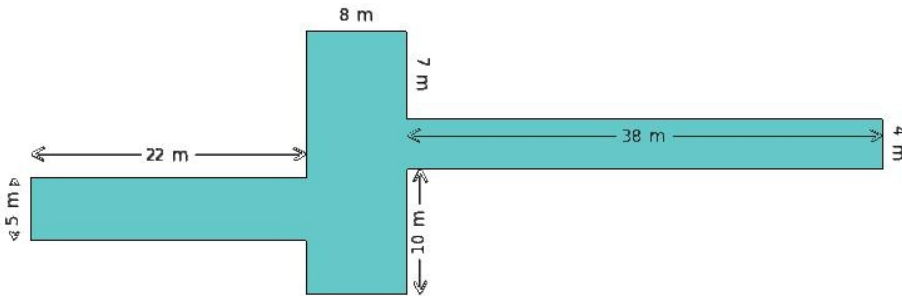
- (i) 934.00 sq.m (ii) 950.00 sq.m (iii) 970.00 sq.m (iv) 948.00 sq.m (v) 923.00 sq.m

3. Find the area of the shaded region given below



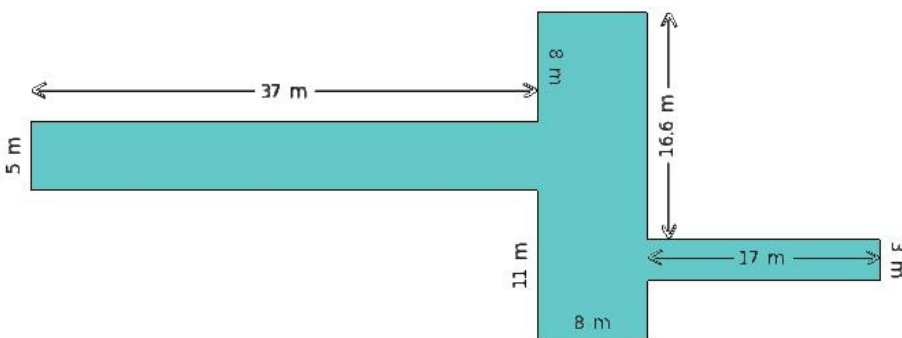
- (i) 532.00 sq.m (ii) 566.00 sq.m (iii) 563.00 sq.m (iv) 528.00 sq.m (v) 550.00 sq.m

4. Find the area of the shaded region given below



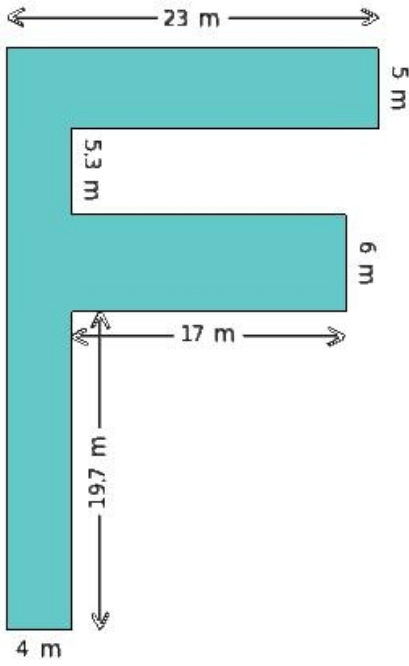
- (i) 430.00 sq.m (ii) 456.00 sq.m (iii) 413.00 sq.m (iv) 433.00 sq.m (v) 428.00 sq.m

5. Find the area of the shaded region given below



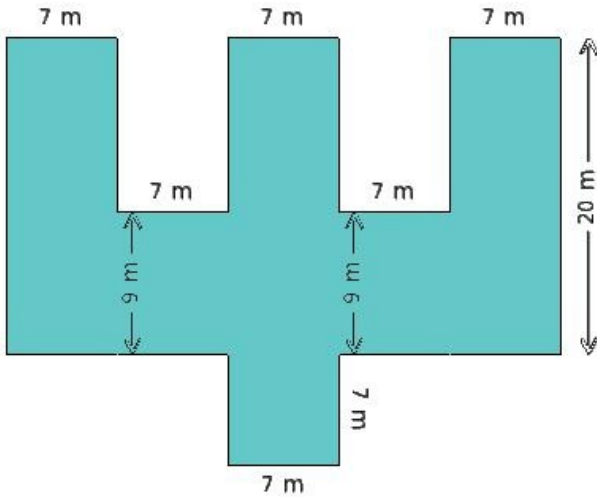
- (i) 421.00 sq.m (ii) 403.00 sq.m (iii) 442.00 sq.m (iv) 440.00 sq.m (v) 428.00 sq.m

6. Find the area of the shaded region given below



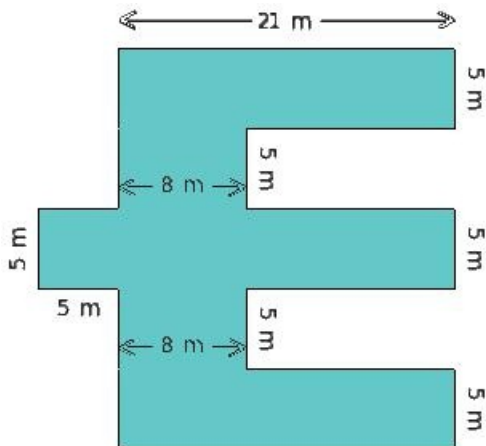
- (i) 336.00 sq.m (ii) 345.00 sq.m (iii) 313.00 sq.m (iv) 368.00 sq.m (v) 341.00 sq.m

7. Find the area of the shaded region given below



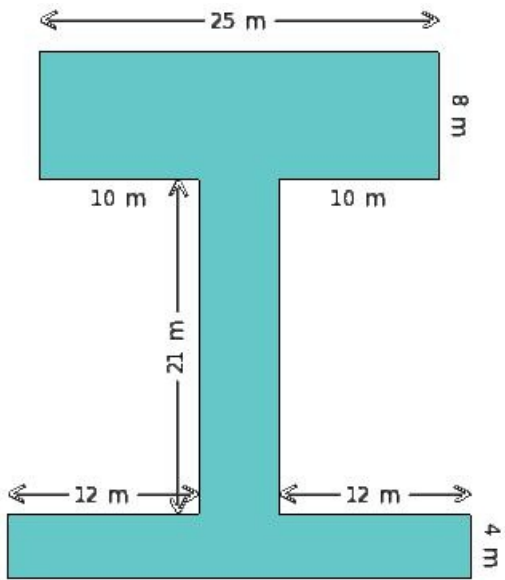
- (i) 595.00 sq.m (ii) 579.00 sq.m (iii) 608.00 sq.m (iv) 567.00 sq.m

8. Find the area of the shaded region given below



- (i) 434.00 sq.m (ii) 402.00 sq.m (iii) 426.00 sq.m (iv) 420.00 sq.m

9. Find the area of the shaded region given below



- (i) 421.00 sq.m (ii) 449.00 sq.m (iii) 405.00 sq.m (iv) 409.00 sq.m (v) 437.00 sq.m

Assignment Key

1) (ii)

2) (iv)

3) (v)

4) (i)

5) (v)

6) (v)

7) (i)

8) (iv)

9) (i)