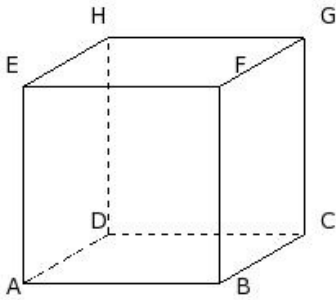


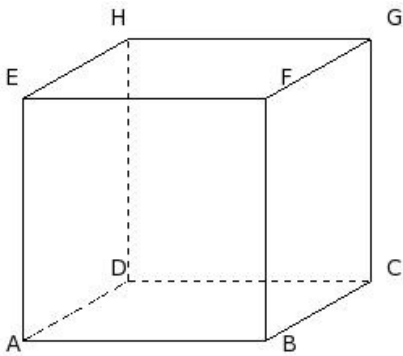


1. If the side of a cube is 12.00 cm, its L.S.A is



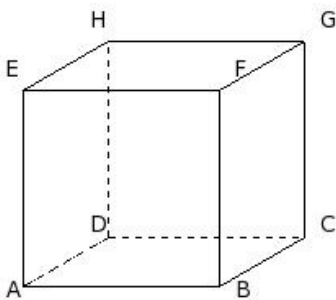
- (i) 569.00 sq.cm (ii) 576.00 sq.cm (iii) 584.00 sq.cm (iv) 592.00 sq.cm (v) 562.00 sq.cm

2. If the side of a cube is 15.00 cm, its T.S.A is



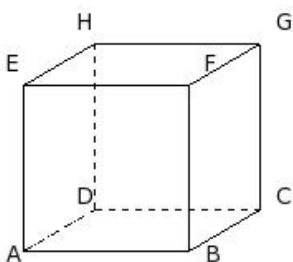
- (i) 1350.00 sq.cm (ii) 1190.00 sq.cm (iii) 1280.00 sq.cm (iv) 1400.00 sq.cm (v) 1490.00 sq.cm

3. If the L.S.A of a cube is 576.00 sq.cm, its T.S.A is



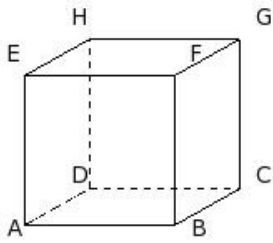
- (i) 867.00 sq.cm (ii) 864.00 sq.cm (iii) 852.00 sq.cm (iv) 889.00 sq.cm (v) 851.00 sq.cm

4. If the T.S.A of a cube is 600.00 sq.cm, its L.S.A is



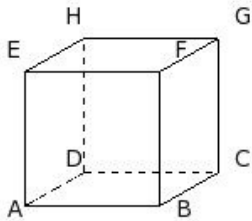
- (i) 423.00 sq.cm (ii) 394.00 sq.cm (iii) 372.00 sq.cm (iv) 405.00 sq.cm (v) 400.00 sq.cm

5. If the volume of a cube is 729.00 cu.cm, its L.S.A is



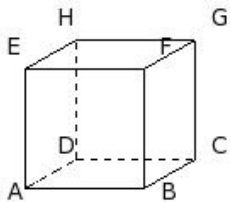
- (i) 324.00 sq.cm (ii) 322.00 sq.cm (iii) 340.00 sq.cm (iv) 306.00 sq.cm (v) 341.00 sq.cm

6. If the volume of a cube is 512.00 cu.cm, its T.S.A is



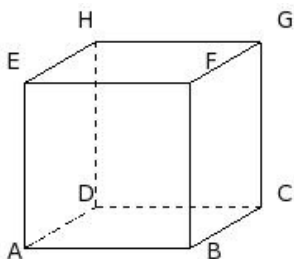
- (i) 408.00 sq.cm (ii) 381.00 sq.cm (iii) 389.00 sq.cm (iv) 384.00 sq.cm (v) 370.00 sq.cm

7. If the side of a cube is 7.00 cm, its volume is



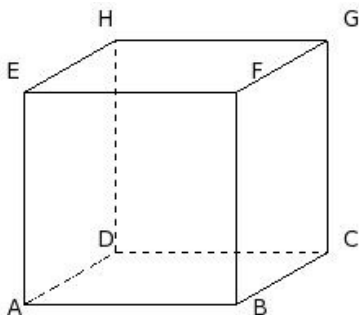
- (i) 348.00 cu.cm (ii) 327.00 cu.cm (iii) 343.00 cu.cm (iv) 355.00 cu.cm (v) 340.00 cu.cm

8. If the L.S.A of a cube is 400.00 sq.cm, its side is



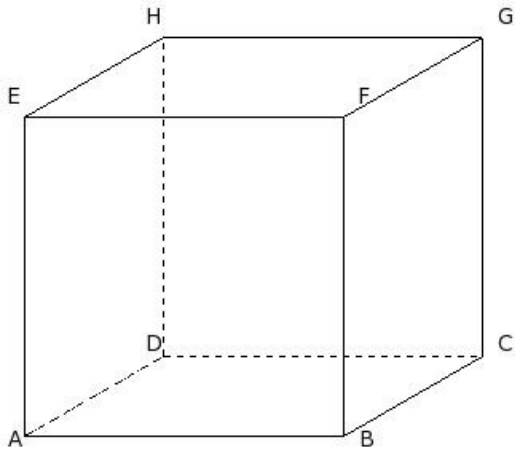
- (i) 13.00 cm (ii) 5.00 cm (iii) 7.00 cm (iv) 15.00 cm (v) 10.00 cm

9. If the L.S.A of a cube is 676.00 sq.cm, its volume is



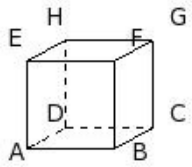
- (i) 1977.00 cu.cm (ii) 2197.00 cu.cm (iii) 2347.00 cu.cm (iv) 2327.00 cu.cm (v) 2137.00 cu.cm

10. If the T.S.A of a cube is 2400.00 sq.cm, its side is



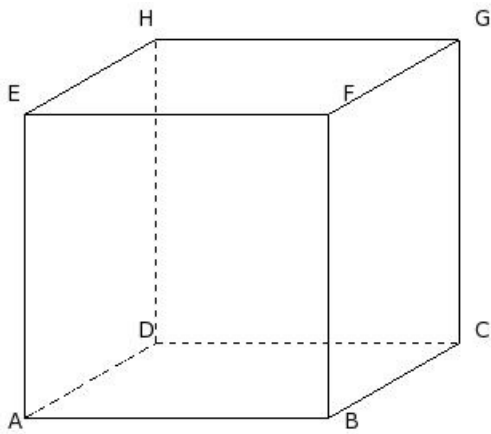
- (i) 25.00 cm (ii) 23.00 cm (iii) 17.00 cm (iv) 15.00 cm (v) 20.00 cm

11. If the T.S.A of a cube is 150.00 sq.cm, its volume is



- (i) 125.00 cu.cm (ii) 121.00 cu.cm (iii) 139.00 cu.cm (iv) 107.00 cu.cm (v) 140.00 cu.cm

12. If the volume of a cube is 6859.00 cu.cm, its side is



- (i) 19.00 cm (ii) 22.00 cm (iii) 14.00 cm (iv) 16.00 cm (v) 24.00 cm

Assignment Key

1) (ii)

2) (i)

3) (ii)

4) (v)

5) (i)

6) (iv)

7) (iii)

8) (v)

9) (ii)

10) (v)

11) (i)

12) (i)