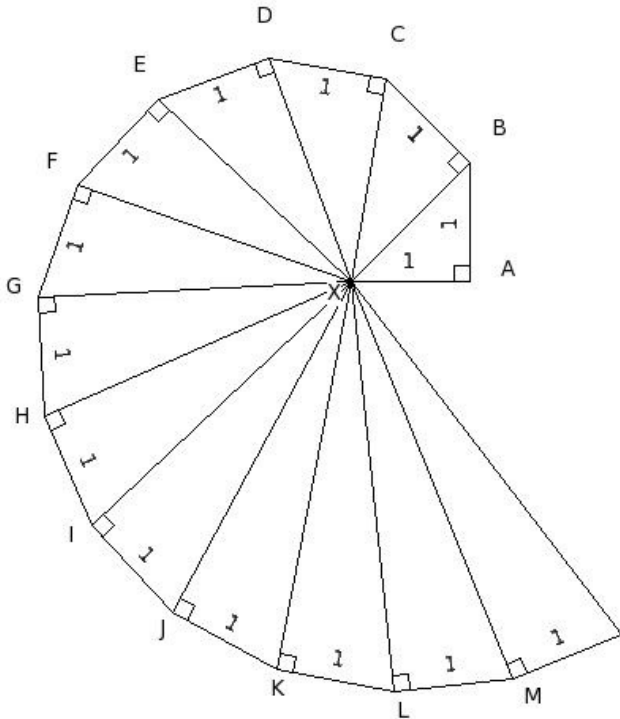


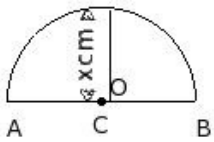


1. Find the length of side XG



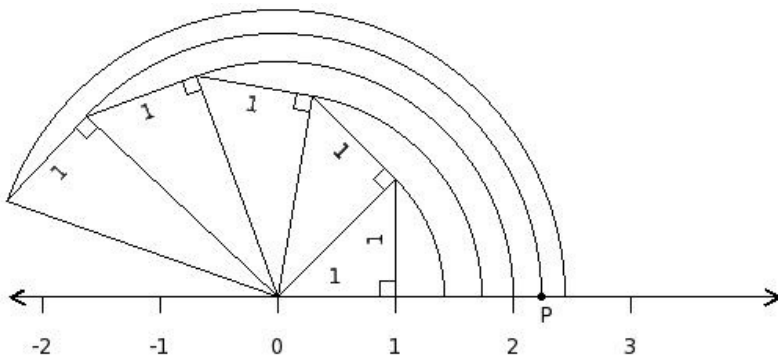
- (i) $\sqrt{7}$ (ii) $\sqrt{12}$ (iii) $\sqrt{10}$ (iv) $\sqrt{14}$ (v) $\sqrt{16}$

2. If the length of AB = 2.2 cm and CB = 1 cm, find the value of x



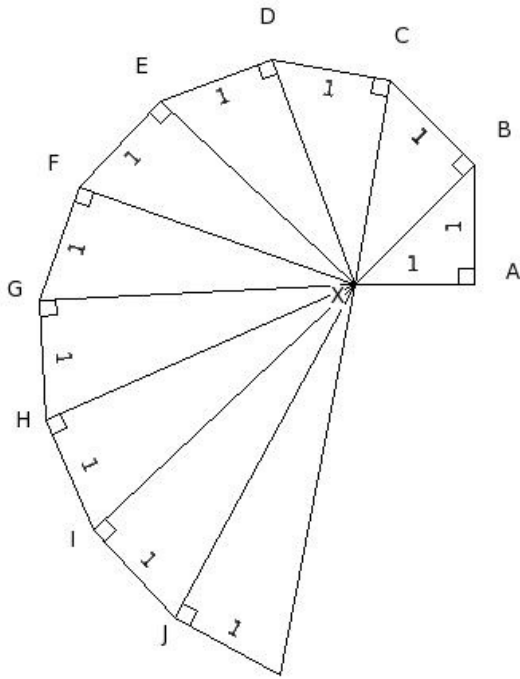
- (i) $\sqrt{0.8}$ cm (ii) $\sqrt{1.1}$ cm (iii) $\sqrt{1.3}$ cm (iv) $\sqrt{1.2}$ cm (v) $\sqrt{1.6}$ cm

3. Find the value of P on the number line



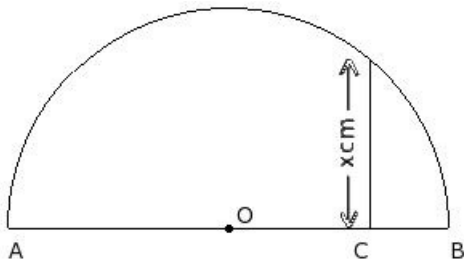
- (i) $\sqrt{6}$ (ii) $\sqrt{5}$ (iii) $\sqrt{2}$ (iv) $\sqrt{4}$ (v) $\sqrt{8}$

4. Find the length of side XD



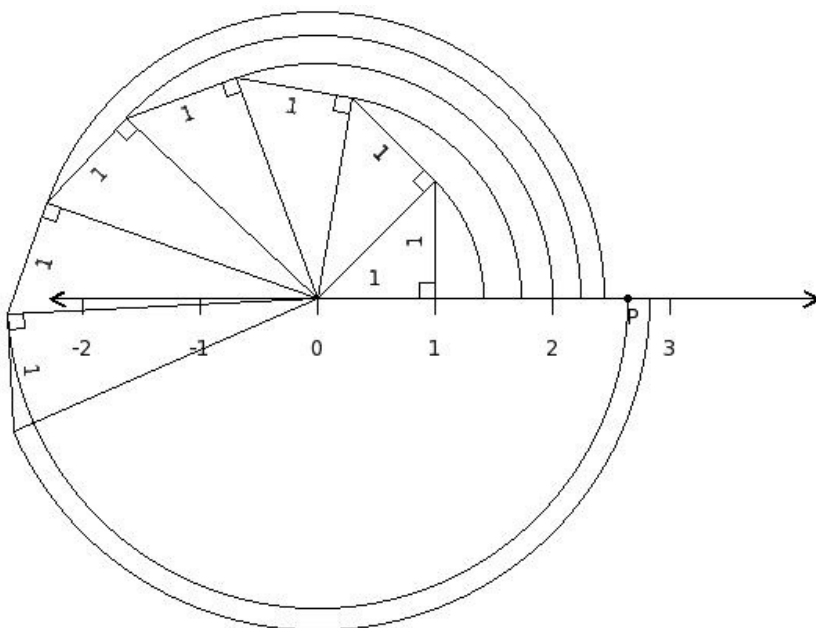
- (i) $\sqrt{7}$ (ii) $\sqrt{4}$ (iii) $\sqrt{9}$ (iv) $\sqrt{12}$ (v) $\sqrt{11}$

5. If the length of AB = 5.5 cm and CB = 1 cm, find the value of x



- (i) $\sqrt{4.2}$ cm (ii) $\sqrt{5.5}$ cm (iii) $\sqrt{4.5}$ cm (iv) $\sqrt{5.0}$ cm (v) $\sqrt{3.5}$ cm

6. Find the value of P on the number line



- (i) $\sqrt{10}$ (ii) $\sqrt{4}$ (iii) $\sqrt{7}$ (iv) $\sqrt{8}$ (v) $\sqrt{6}$

Assignment Key

1) (i)

2) (iv)

3) (ii)

4) (ii)

5) (iii)

6) (iii)

Copyright © Small Systems Computing Pvt. Ltd.