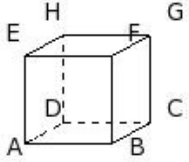


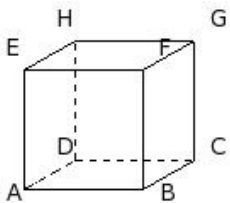


1. If the side of a cube is 5.00 cm, its L.S.A is



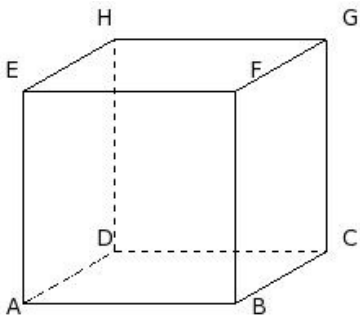
- (i) 78.00 sq.cm (ii) 84.00 sq.cm (iii) 114.00 sq.cm (iv) 100.00 sq.cm (v) 115.00 sq.cm

2. If the side of a cube is 7.00 cm, its T.S.A is



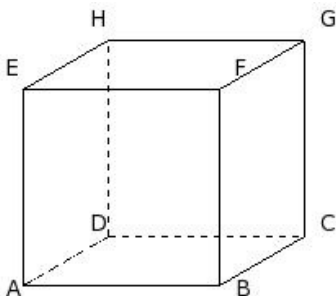
- (i) 294.00 sq.cm (ii) 276.00 sq.cm (iii) 301.00 sq.cm (iv) 272.00 sq.cm (v) 318.00 sq.cm

3. If the side of a cube is 13.00 cm, its volume is



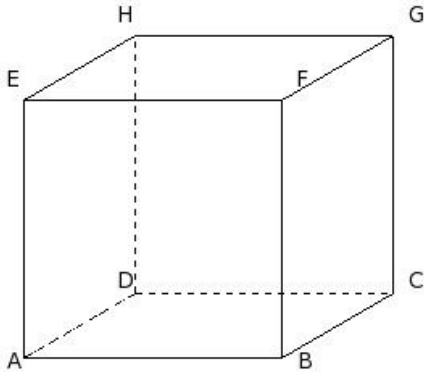
- (i) 2017.00 cu.cm (ii) 2197.00 cu.cm (iii) 2177.00 cu.cm (iv) 2247.00 cu.cm (v) 2457.00 cu.cm

4. If the L.S.A of a cube is 576.00 sq.cm, its side is



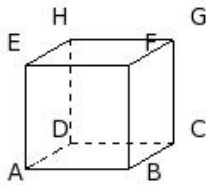
- (i) 17.00 cm (ii) 9.00 cm (iii) 7.00 cm (iv) 12.00 cm (v) 15.00 cm

5. If the L.S.A of a cube is 1024.00 sq.cm, its T.S.A is



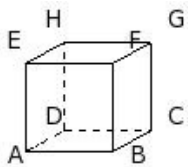
- (i) 1536.00 sq.cm (ii) 1366.00 sq.cm (iii) 1276.00 sq.cm (iv) 1776.00 sq.cm (v) 1586.00 sq.cm

6. If the L.S.A of a cube is 144.00 sq.cm, its volume is



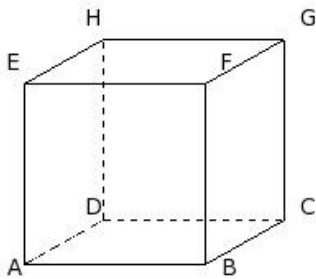
- (i) 222.00 cu.cm (ii) 228.00 cu.cm (iii) 216.00 cu.cm (iv) 190.00 cu.cm (v) 213.00 cu.cm

7. If the T.S.A of a cube is 150.00 sq.cm, its side is



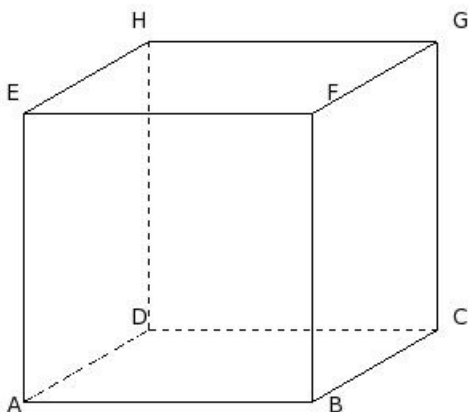
- (i) 4.00 cm (ii) 7.00 cm (iii) 3.00 cm (iv) 6.00 cm (v) 5.00 cm

8. If the T.S.A of a cube is 726.00 sq.cm, its L.S.A is



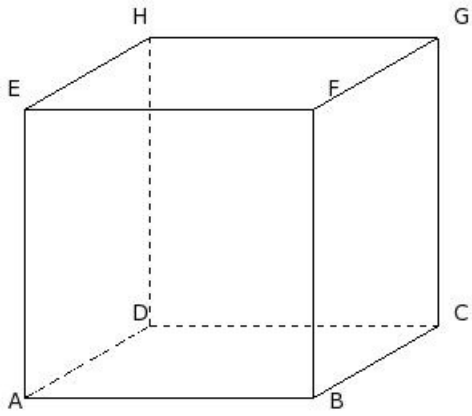
- (i) 469.00 sq.cm (ii) 500.00 sq.cm (iii) 491.00 sq.cm (iv) 484.00 sq.cm (v) 480.00 sq.cm

9. If the T.S.A of a cube is 1944.00 sq.cm, its volume is



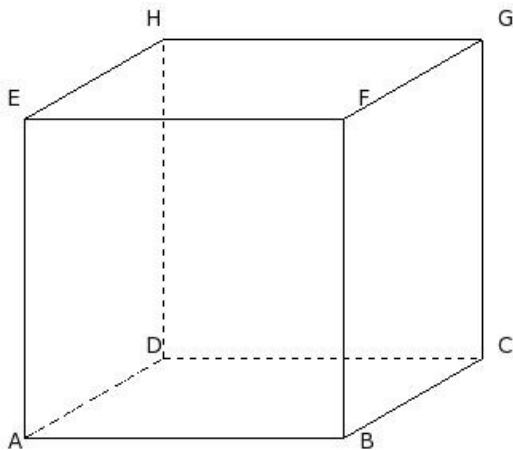
- (i) 5562.00 cu.cm (ii) 5672.00 cu.cm (iii) 5882.00 cu.cm (iv) 5832.00 cu.cm (v) 6012.00 cu.cm

10. If the volume of a cube is 5832.00 cu.cm, its side is



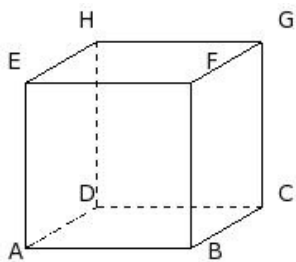
- (i) 18.00 cm (ii) 13.00 cm (iii) 21.00 cm (iv) 15.00 cm (v) 23.00 cm

11. If the volume of a cube is 8000.00 cu.cm, its L.S.A is



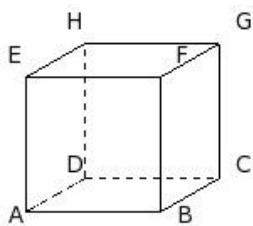
- (i) 1730.00 sq.cm (ii) 1580.00 sq.cm (iii) 1640.00 sq.cm (iv) 1430.00 sq.cm (v) 1600.00 sq.cm

12. If the volume of a cube is 1000.00 cu.cm, its T.S.A is



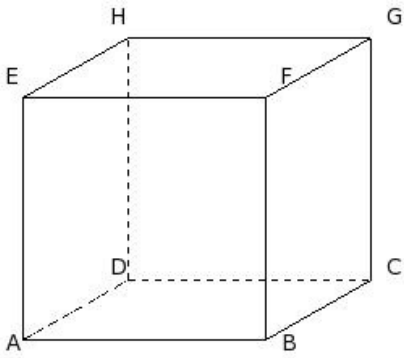
- (i) 617.00 sq.cm (ii) 600.00 sq.cm (iii) 574.00 sq.cm (iv) 582.00 sq.cm (v) 622.00 sq.cm

13. If the side of a cube is 8.00 cm, its L.S.A is



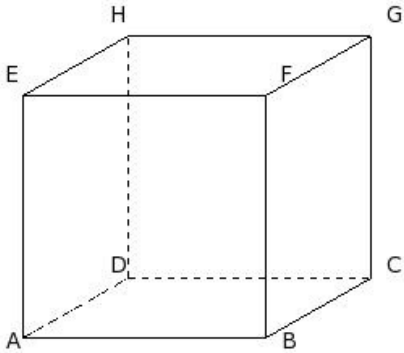
- (i) 258.00 sq.cm (ii) 273.00 sq.cm (iii) 256.00 sq.cm (iv) 250.00 sq.cm (v) 234.00 sq.cm

14. If the side of a cube is 15.00 cm, its T.S.A is



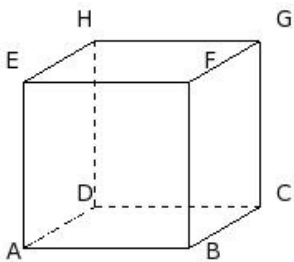
- (i) 1330.00 sq.cm (ii) 1380.00 sq.cm (iii) 1350.00 sq.cm (iv) 1500.00 sq.cm (v) 1090.00 sq.cm

15. If the side of a cube is 15.00 cm, its volume is



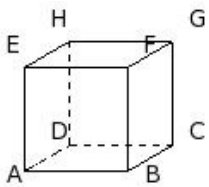
- (i) 3615.00 cu.cm (ii) 3125.00 cu.cm (iii) 3355.00 cu.cm (iv) 3495.00 cu.cm (v) 3375.00 cu.cm

16. If the L.S.A of a cube is 400.00 sq.cm, its side is



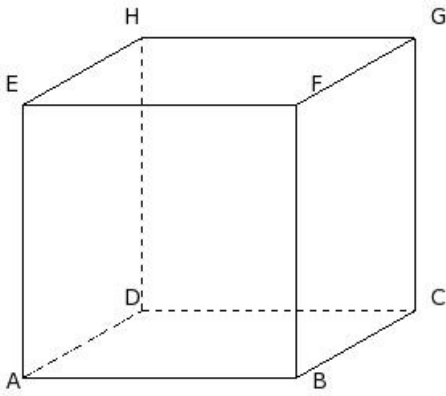
- (i) 13.00 cm (ii) 5.00 cm (iii) 10.00 cm (iv) 7.00 cm (v) 15.00 cm

17. If the L.S.A of a cube is 144.00 sq.cm, its T.S.A is



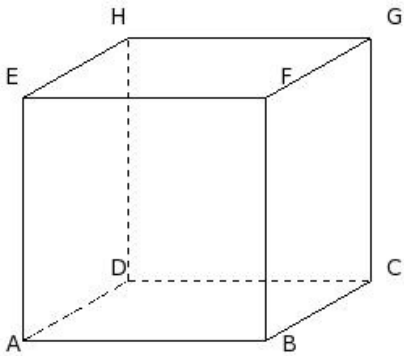
- (i) 191.00 sq.cm (ii) 243.00 sq.cm (iii) 198.00 sq.cm (iv) 216.00 sq.cm (v) 228.00 sq.cm

18. If the L.S.A of a cube is 1156.00 sq.cm, its volume is



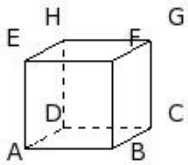
- (i) 5173.00 cu.cm (ii) 4973.00 cu.cm (iii) 4913.00 cu.cm (iv) 4793.00 cu.cm

19. If the T.S.A of a cube is 1350.00 sq.cm, its side is



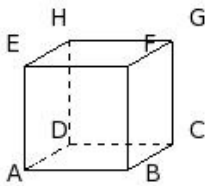
- (i) 15.00 cm (ii) 12.00 cm (iii) 20.00 cm (iv) 18.00 cm (v) 10.00 cm

20. If the T.S.A of a cube is 150.00 sq.cm, its L.S.A is



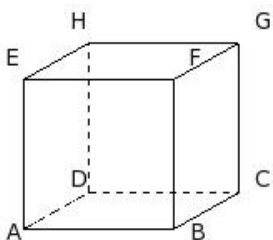
- (i) 122.00 sq.cm (ii) 118.00 sq.cm (iii) 83.00 sq.cm (iv) 77.00 sq.cm (v) 100.00 sq.cm

21. If the T.S.A of a cube is 216.00 sq.cm, its volume is



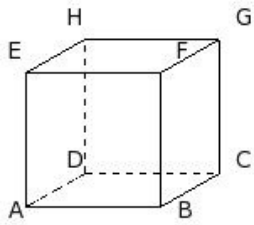
- (i) 193.00 cu.cm (ii) 216.00 cu.cm (iii) 222.00 cu.cm (iv) 212.00 cu.cm (v) 241.00 cu.cm

22. If the volume of a cube is 729.00 cu.cm, its side is



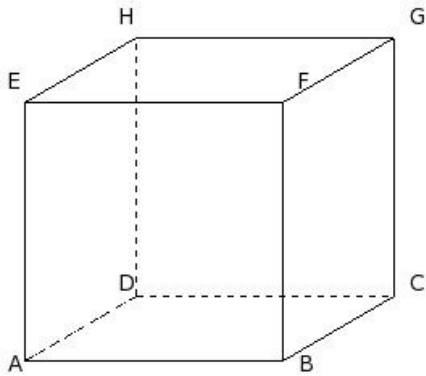
- (i) 7.00 cm (ii) 9.00 cm (iii) 8.00 cm (iv) 11.00 cm (v) 10.00 cm

23. If the volume of a cube is 512.00 cu.cm, its L.S.A is



- (i) 261.00 sq.cm (ii) 254.00 sq.cm (iii) 230.00 sq.cm (iv) 278.00 sq.cm (v) 256.00 sq.cm

24. If the volume of a cube is 4096.00 cu.cm, its T.S.A is



- (i) 1316.00 sq.cm (ii) 1536.00 sq.cm (iii) 1506.00 sq.cm (iv) 1556.00 sq.cm (v) 1706.00 sq.cm

Assignment Key

1) (iv)	2) (i)	3) (ii)	4) (iv)	5) (i)	6) (iii)
7) (v)	8) (iv)	9) (iv)	10) (i)	11) (v)	12) (ii)
13) (iii)	14) (iii)	15) (v)	16) (iii)	17) (iv)	18) (iii)
19) (i)	20) (v)	21) (ii)	22) (ii)	23) (v)	24) (ii)