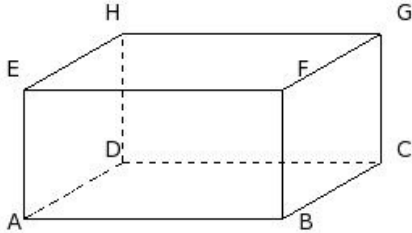


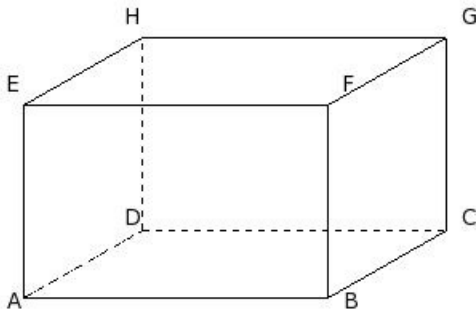


1. If the length, breadth and height of a cuboid are 16.00 cm, 14.00 cm and 8.00 cm respectively, its L.S.A is



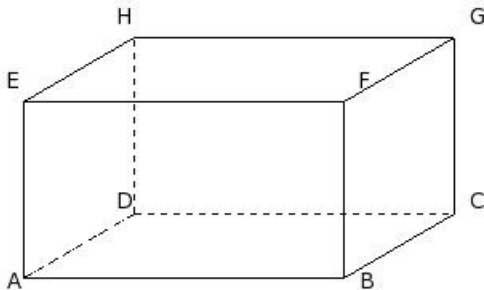
- (i) 468.00 sq.cm (ii) 506.00 sq.cm (iii) 480.00 sq.cm (iv) 494.00 sq.cm (v) 477.00 sq.cm

2. If the length, breadth and height of a cuboid are 19.00 cm, 17.00 cm and 12.00 cm respectively, its T.S.A is



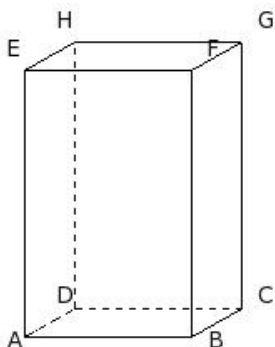
- (i) 1790.00 sq.cm (ii) 1350.00 sq.cm (iii) 1510.00 sq.cm (iv) 1680.00 sq.cm (v) 1460.00 sq.cm

3. If the length, breadth and height of a cuboid are 20.00 cm, 16.00 cm and 11.00 cm respectively, its volume is



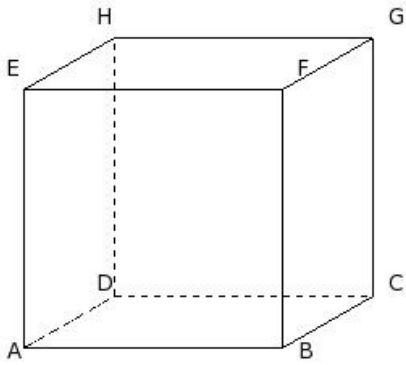
- (i) 3590.00 cu.cm (ii) 3520.00 cu.cm (iii) 3250.00 cu.cm (iv) 3760.00 cu.cm (v) 3470.00 cu.cm

4. If the length, breadth and L.S.A of a cuboid are 10.00 cm, 7.00 cm and 544.00 sq.cm respectively, its height is



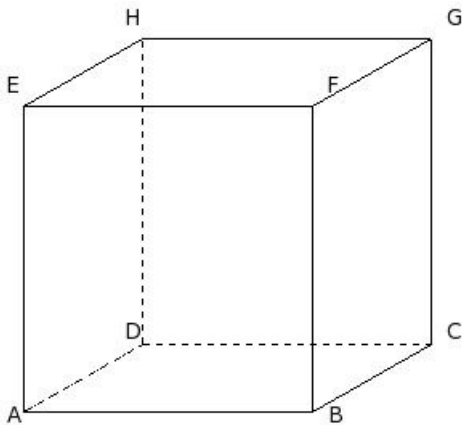
- (i) 21.00 cm (ii) 19.00 cm (iii) 11.00 cm (iv) 16.00 cm (v) 13.00 cm

5. If the length, breadth and L.S.A of a cuboid are 16.00 cm, 13.00 cm and 928.00 sq.cm respectively, its T.S.A is



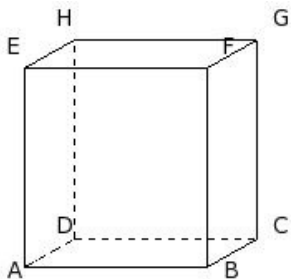
- (i) 1104.00 sq.cm (ii) 1594.00 sq.cm (iii) 1414.00 sq.cm (iv) 1344.00 sq.cm (v) 1184.00 sq.cm

6. If the length, breadth and L.S.A of a cuboid are 18.00 cm, 17.00 cm and 1330.00 sq.cm respectively, its volume is



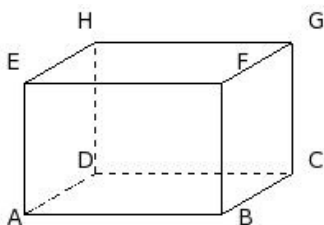
- (i) 5814.00 cu.cm (ii) 5734.00 cu.cm (iii) 5984.00 cu.cm (iv) 5964.00 cu.cm (v) 5574.00 cu.cm

7. If the length, breadth and T.S.A of a cuboid are 11.00 cm, 7.00 cm and 586.00 sq.cm respectively, its height is



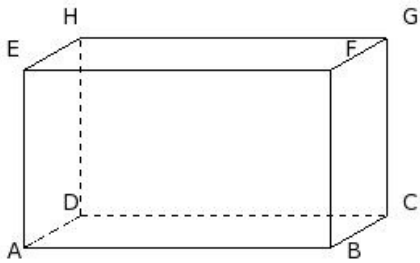
- (i) 15.00 cm (ii) 12.00 cm (iii) 7.00 cm (iv) 9.00 cm (v) 17.00 cm

8. If the length, breadth and T.S.A of a cuboid are 12.00 cm, 10.00 cm and 592.00 sq.cm respectively, its L.S.A is



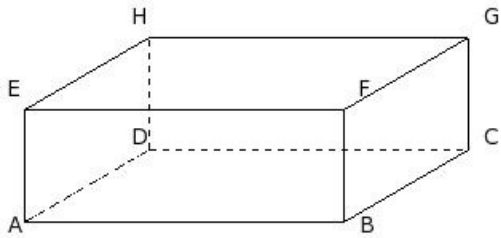
- (i) 352.00 sq.cm (ii) 367.00 sq.cm (iii) 348.00 sq.cm (iv) 365.00 sq.cm (v) 336.00 sq.cm

9. If the length, breadth and T.S.A of a cuboid are 19.00 cm, 8.00 cm and 898.00 sq.cm respectively, its volume is



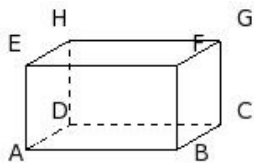
- (i) 1442.00 cu.cm (ii) 1912.00 cu.cm (iii) 1672.00 cu.cm (iv) 1552.00 cu.cm (v) 1842.00 cu.cm

10. If the length, breadth and volume of a cuboid are 20.00 cm, 18.00 cm and 2520.00 cu.cm respectively, its height is



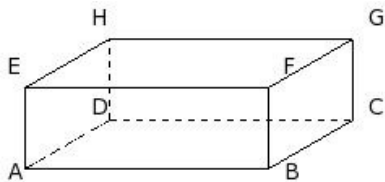
- (i) 9.00 cm (ii) 8.00 cm (iii) 5.00 cm (iv) 7.00 cm (v) 6.00 cm

11. If the length, breadth and volume of a cuboid are 9.00 cm, 6.00 cm and 270.00 cu.cm respectively, its L.S.A is



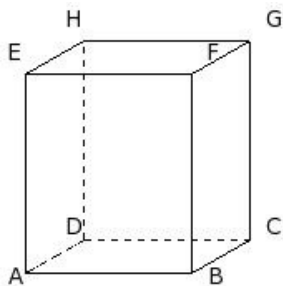
- (i) 124.00 sq.cm (ii) 150.00 sq.cm (iii) 175.00 sq.cm (iv) 152.00 sq.cm (v) 136.00 sq.cm

12. If the length, breadth and volume of a cuboid are 15.00 cm, 12.00 cm and 900.00 cu.cm respectively, its T.S.A is



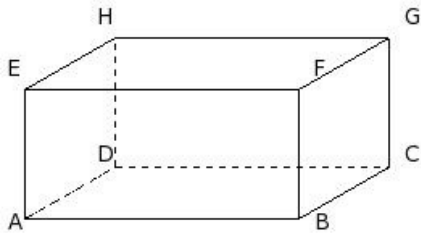
- (i) 605.00 sq.cm (ii) 630.00 sq.cm (iii) 653.00 sq.cm (iv) 616.00 sq.cm (v) 642.00 sq.cm

13. If the length, height and L.S.A of a cuboid are 10.00 cm, 12.00 cm and 432.00 sq.cm respectively, its breadth is



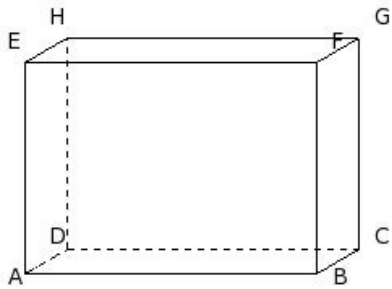
- (i) 9.00 cm (ii) 8.00 cm (iii) 7.00 cm (iv) 6.00 cm (v) 10.00 cm

14. If the length, height and L.S.A of a cuboid are 17.00 cm, 8.00 cm and 480.00 sq.cm respectively, its T.S.A is



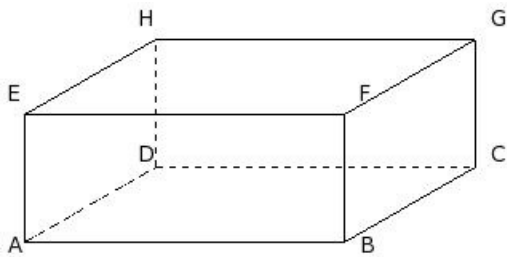
- (i) 898.00 sq.cm (ii) 914.00 sq.cm (iii) 925.00 sq.cm (iv) 922.00 sq.cm (v) 934.00 sq.cm

15. If the length, height and L.S.A of a cuboid are 18.00 cm, 13.00 cm and 624.00 sq.cm respectively, its volume is



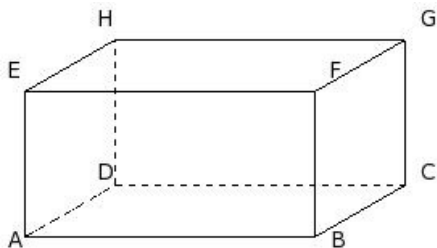
- (i) 1584.00 cu.cm (ii) 1264.00 cu.cm (iii) 1544.00 cu.cm (iv) 1384.00 cu.cm (v) 1404.00 cu.cm

16. If the length, height and T.S.A of a cuboid are 20.00 cm, 8.00 cm and 1384.00 sq.cm respectively, its breadth is



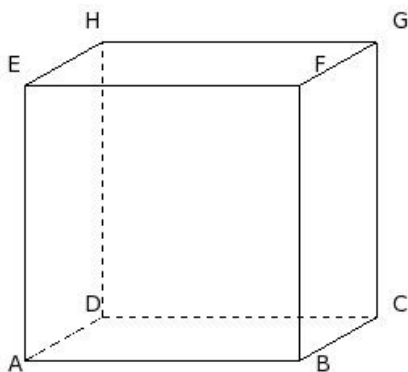
- (i) 14.00 cm (ii) 16.00 cm (iii) 22.00 cm (iv) 19.00 cm (v) 24.00 cm

17. If the length, height and T.S.A of a cuboid are 18.00 cm, 9.00 cm and 1026.00 sq.cm respectively, its L.S.A is



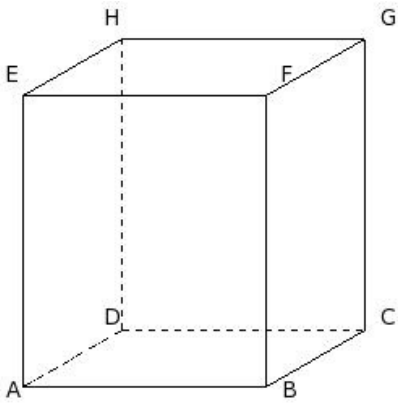
- (i) 533.00 sq.cm (ii) 575.00 sq.cm (iii) 570.00 sq.cm (iv) 558.00 sq.cm (v) 554.00 sq.cm

18. If the length, height and T.S.A of a cuboid are 17.00 cm, 17.00 cm and 1326.00 sq.cm respectively, its volume is



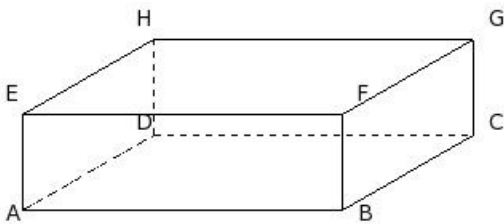
- (i) 3329.00 cu.cm (ii) 3109.00 cu.cm (iii) 3319.00 cu.cm (iv) 3179.00 cu.cm (v) 2999.00 cu.cm

19. If the length, height and volume of a cuboid are 15.00 cm, 18.00 cm and 3780.00 cu.cm respectively, its breadth is



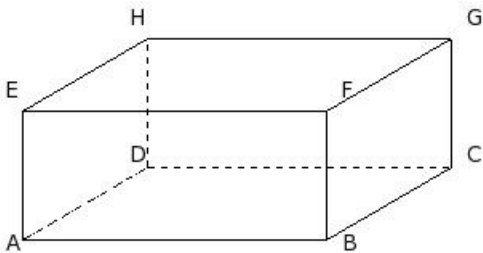
- (i) 17.00 cm (ii) 14.00 cm (iii) 11.00 cm (iv) 9.00 cm (v) 19.00 cm

20. If the length, height and volume of a cuboid are 20.00 cm, 6.00 cm and 2280.00 cu.cm respectively, its L.S.A is



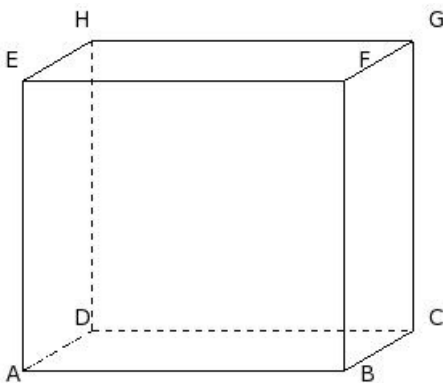
- (i) 463.00 sq.cm (ii) 484.00 sq.cm (iii) 442.00 sq.cm (iv) 468.00 sq.cm (v) 486.00 sq.cm

21. If the length, height and volume of a cuboid are 19.00 cm, 8.00 cm and 2736.00 cu.cm respectively, its T.S.A is



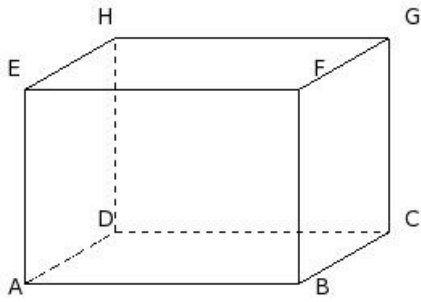
- (i) 1436.00 sq.cm (ii) 1106.00 sq.cm (iii) 1276.00 sq.cm (iv) 1356.00 sq.cm (v) 996.00 sq.cm

22. If the breadth, height and L.S.A of a cuboid are 10.00 cm, 18.00 cm and 1080.00 sq.cm respectively, its length is



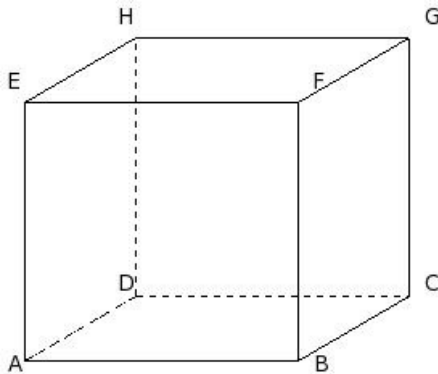
- (i) 23.00 cm (ii) 15.00 cm (iii) 17.00 cm (iv) 20.00 cm (v) 25.00 cm

23. If the breadth, height and L.S.A of a cuboid are 13.00 cm, 12.00 cm and 720.00 sq.cm respectively, its T.S.A is



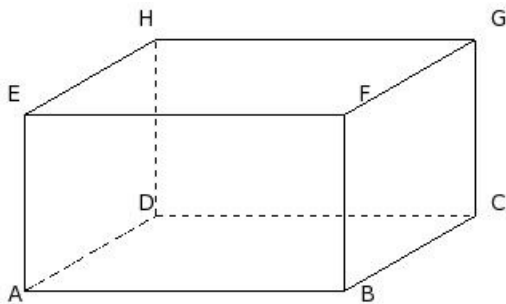
- (i) 1292.00 sq.cm (ii) 1112.00 sq.cm (iii) 1302.00 sq.cm (iv) 1162.00 sq.cm (v) 922.00 sq.cm

24. If the breadth, height and L.S.A of a cuboid are 16.00 cm, 16.00 cm and 1056.00 sq.cm respectively, its volume is



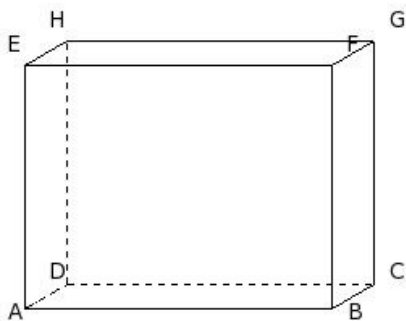
- (i) 4292.00 cu.cm (ii) 4352.00 cu.cm (iii) 4392.00 cu.cm (iv) 4222.00 cu.cm (v) 4632.00 cu.cm

25. If the breadth, height and T.S.A of a cuboid are 19.00 cm, 11.00 cm and 1618.00 sq.cm respectively, its length is



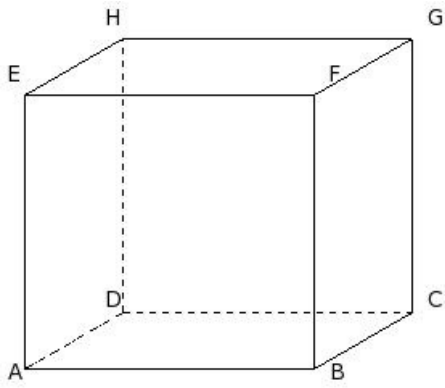
- (i) 25.00 cm (ii) 23.00 cm (iii) 15.00 cm (iv) 20.00 cm (v) 17.00 cm

26. If the breadth, height and T.S.A of a cuboid are 6.00 cm, 15.00 cm and 978.00 sq.cm respectively, its L.S.A is



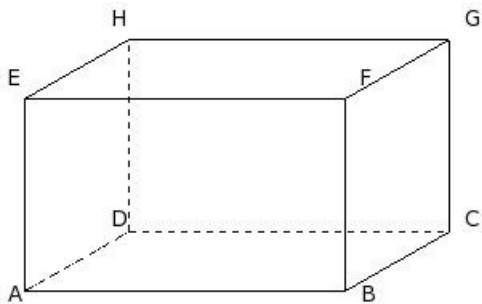
- (i) 757.00 sq.cm (ii) 747.00 sq.cm (iii) 776.00 sq.cm (iv) 726.00 sq.cm (v) 750.00 sq.cm

27. If the breadth, height and T.S.A of a cuboid are 14.00 cm, 17.00 cm and 1592.00 sq.cm respectively, its volume is



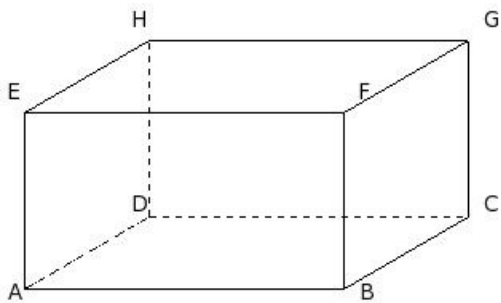
- (i) 4254.00 cu.cm (ii) 4284.00 cu.cm (iii) 4424.00 cu.cm (iv) 4144.00 cu.cm (v) 4514.00 cu.cm

28. If the breadth, height and volume of a cuboid are 15.00 cm, 12.00 cm and 3600.00 cu.cm respectively, its length is



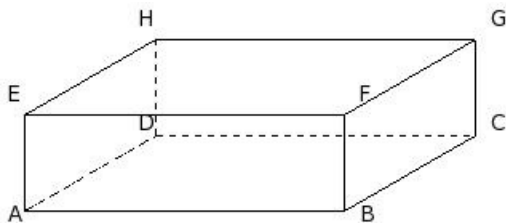
- (i) 25.00 cm (ii) 20.00 cm (iii) 17.00 cm (iv) 15.00 cm (v) 23.00 cm

29. If the breadth, height and volume of a cuboid are 18.00 cm, 11.00 cm and 3960.00 cu.cm respectively, its L.S.A is



- (i) 848.00 sq.cm (ii) 809.00 sq.cm (iii) 824.00 sq.cm (iv) 836.00 sq.cm (v) 849.00 sq.cm

30. If the breadth, height and volume of a cuboid are 19.00 cm, 6.00 cm and 2280.00 cu.cm respectively, its T.S.A is



- (i) 998.00 sq.cm (ii) 1388.00 sq.cm (iii) 1378.00 sq.cm (iv) 1228.00 sq.cm (v) 1208.00 sq.cm

## Assignment Key

1) (iii)	2) (iii)	3) (ii)	4) (iv)	5) (iv)	6) (i)
7) (ii)	8) (i)	9) (iii)	10) (iv)	11) (ii)	12) (ii)
13) (ii)	14) (iv)	15) (v)	16) (iv)	17) (iv)	18) (iv)
19) (ii)	20) (iv)	21) (iii)	22) (iv)	23) (iv)	24) (ii)
25) (iv)	26) (v)	27) (ii)	28) (ii)	29) (iv)	30) (iv)