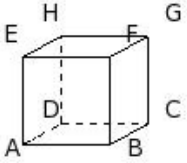


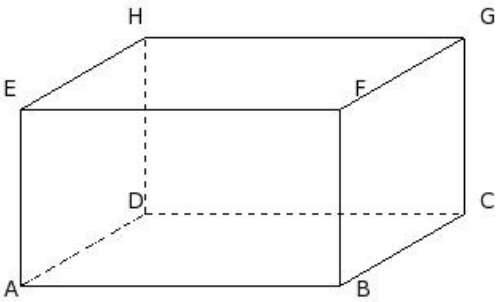


1. If the volume of a cube is 125.00 cu.cm, its side is



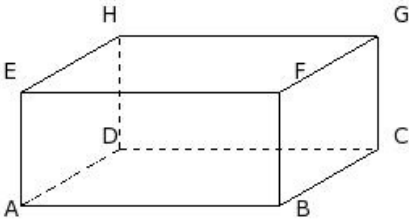
- (i) 3.00 cm (ii) 4.00 cm (iii) 5.00 cm (iv) 7.00 cm (v) 6.00 cm

2. If the length, height and L.S.A of a cuboid are 20.00 cm, 11.00 cm and 836.00 sq.cm respectively, its T.S.A is



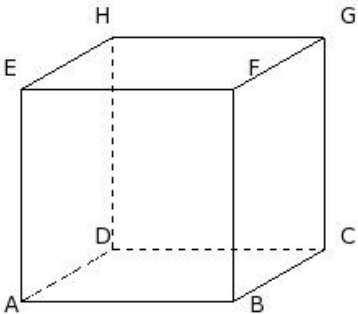
- (i) 1326.00 sq.cm (ii) 1526.00 sq.cm (iii) 1736.00 sq.cm (iv) 1716.00 sq.cm (v) 1556.00 sq.cm

3. If the length, height and volume of a cuboid are 16.00 cm, 7.00 cm and 1568.00 cu.cm respectively, its T.S.A is



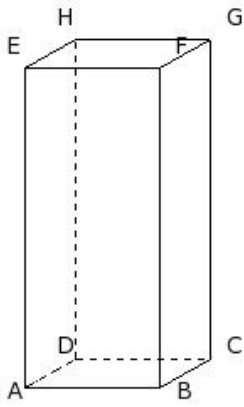
- (i) 861.00 sq.cm (ii) 874.00 sq.cm (iii) 855.00 sq.cm (iv) 868.00 sq.cm (v) 890.00 sq.cm

4. If the L.S.A of a cube is 676.00 sq.cm, its volume is



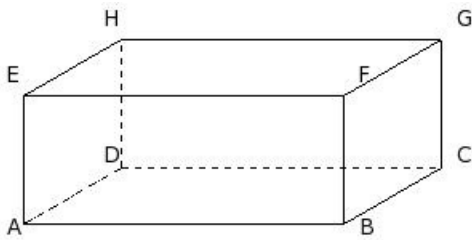
- (i) 2127.00 cu.cm (ii) 2327.00 cu.cm (iii) 2247.00 cu.cm (iv) 2037.00 cu.cm (v) 2197.00 cu.cm

5. If the breadth, height and volume of a cuboid are 7.00 cm, 19.00 cm and 1064.00 cu.cm respectively, its L.S.A is



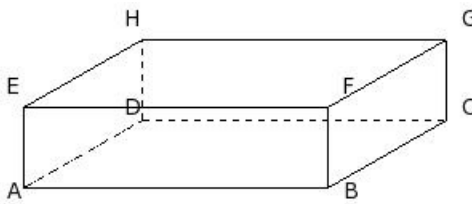
- (i) 570.00 sq.cm (ii) 572.00 sq.cm (iii) 595.00 sq.cm (iv) 547.00 sq.cm (v) 567.00 sq.cm

6. If the length, height and L.S.A of a cuboid are 20.00 cm, 8.00 cm and 544.00 sq.cm respectively, its breadth is



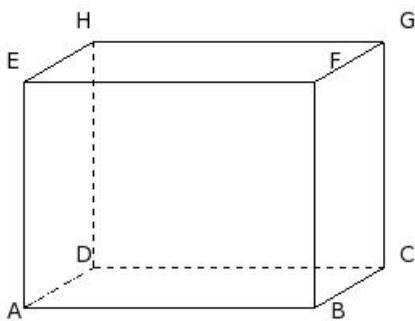
- (i) 14.00 cm (ii) 9.00 cm (iii) 11.00 cm (iv) 17.00 cm (v) 19.00 cm

7. If the length, breadth and L.S.A of a cuboid are 19.00 cm, 17.00 cm and 360.00 sq.cm respectively, its volume is



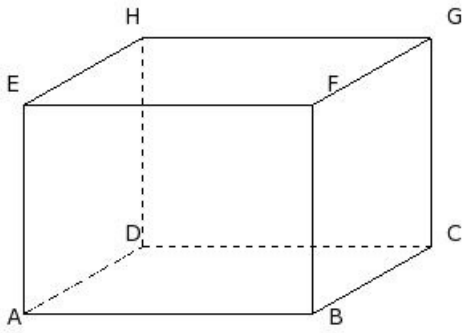
- (i) 1615.00 cu.cm (ii) 1785.00 cu.cm (iii) 1365.00 cu.cm (iv) 1775.00 cu.cm (v) 1575.00 cu.cm

8. If the length, breadth and T.S.A of a cuboid are 18.00 cm, 10.00 cm and 1144.00 sq.cm respectively, its L.S.A is



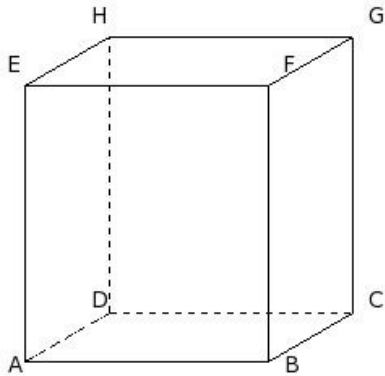
- (i) 770.00 sq.cm (ii) 790.00 sq.cm (iii) 784.00 sq.cm (iv) 806.00 sq.cm (v) 767.00 sq.cm

9. If the length, breadth and L.S.A of a cuboid are 18.00 cm, 17.00 cm and 910.00 sq.cm respectively, its T.S.A is



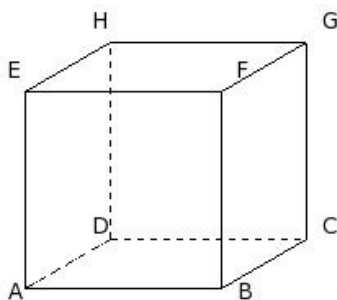
- (i) 1692.00 sq.cm (ii) 1382.00 sq.cm (iii) 1342.00 sq.cm (iv) 1522.00 sq.cm (v) 1562.00 sq.cm

10. If the length, breadth and L.S.A of a cuboid are 15.00 cm, 12.00 cm and 918.00 sq.cm respectively, its height is



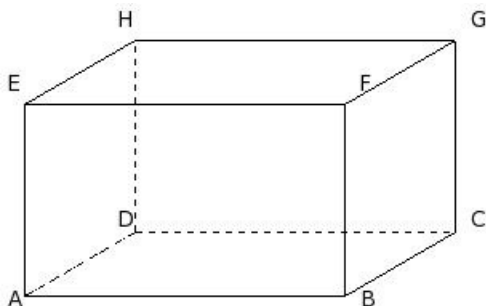
- (i) 17.00 cm (ii) 22.00 cm (iii) 14.00 cm (iv) 12.00 cm (v) 20.00 cm

11. If the L.S.A of a cube is 576.00 sq.cm, its side is



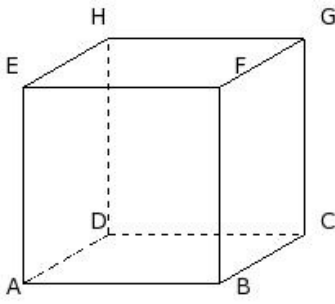
- (i) 17.00 cm (ii) 9.00 cm (iii) 12.00 cm (iv) 15.00 cm (v) 7.00 cm

12. If the length, breadth and height of a cuboid are 20.00 cm, 16.00 cm and 12.00 cm respectively, its T.S.A is



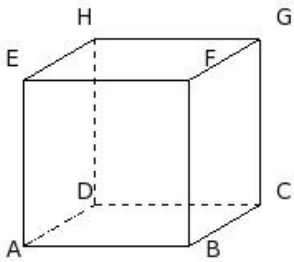
- (i) 1424.00 sq.cm (ii) 1504.00 sq.cm (iii) 1684.00 sq.cm (iv) 1334.00 sq.cm (v) 1654.00 sq.cm

13. If the side of a cube is 12.00 cm, its T.S.A is



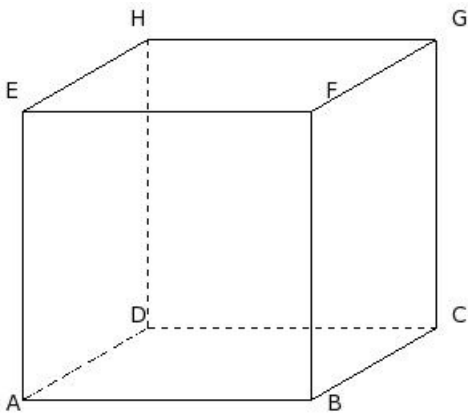
- (i) 877.00 sq.cm (ii) 850.00 sq.cm (iii) 864.00 sq.cm (iv) 882.00 sq.cm (v) 849.00 sq.cm

14. If the volume of a cube is 1000.00 cu.cm, its L.S.A is



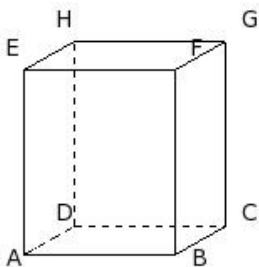
- (i) 376.00 sq.cm (ii) 413.00 sq.cm (iii) 400.00 sq.cm (iv) 425.00 sq.cm (v) 397.00 sq.cm

15. If the side of a cube is 18.00 cm, its L.S.A is



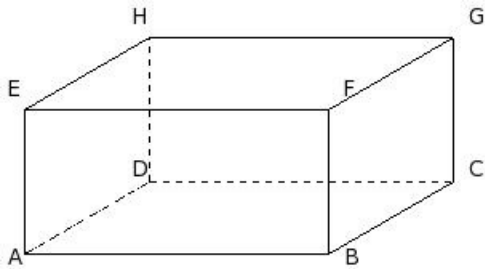
- (i) 1296.00 sq.cm (ii) 1356.00 sq.cm (iii) 1266.00 sq.cm (iv) 1116.00 sq.cm (v) 1446.00 sq.cm

16. If the breadth, height and L.S.A of a cuboid are 7.00 cm, 11.00 cm and 352.00 sq.cm respectively, its length is



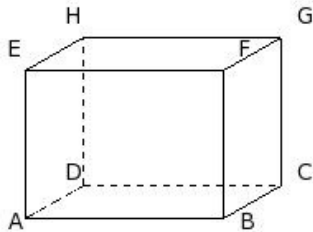
- (i) 11.00 cm (ii) 9.00 cm (iii) 10.00 cm (iv) 8.00 cm (v) 7.00 cm

17. If the length, height and T.S.A of a cuboid are 19.00 cm, 9.00 cm and 1350.00 sq.cm respectively, its volume is



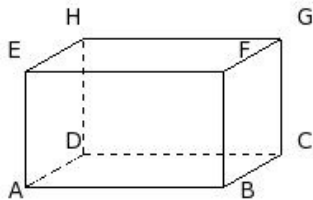
- (i) 2948.00 cu.cm (ii) 3078.00 cu.cm (iii) 3038.00 cu.cm (iv) 3208.00 cu.cm (v) 3318.00 cu.cm

18. If the breadth, height and volume of a cuboid are 8.00 cm, 9.00 cm and 864.00 cu.cm respectively, its length is



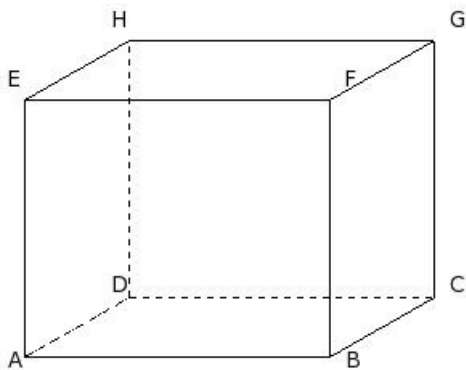
- (i) 15.00 cm (ii) 17.00 cm (iii) 7.00 cm (iv) 9.00 cm (v) 12.00 cm

19. If the length, height and volume of a cuboid are 12.00 cm, 7.00 cm and 672.00 cu.cm respectively, its breadth is



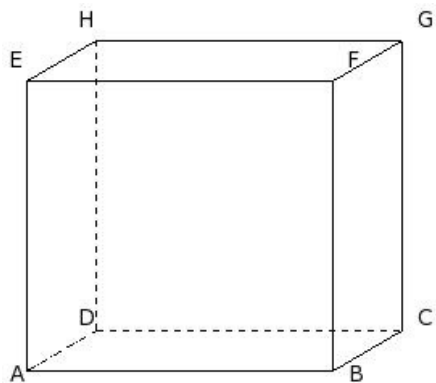
- (i) 10.00 cm (ii) 9.00 cm (iii) 6.00 cm (iv) 7.00 cm (v) 8.00 cm

20. If the breadth, height and T.S.A of a cuboid are 15.00 cm, 16.00 cm and 1658.00 sq.cm respectively, its length is



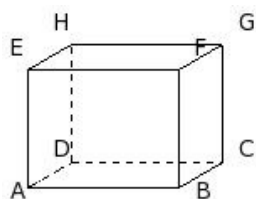
- (i) 14.00 cm (ii) 22.00 cm (iii) 16.00 cm (iv) 24.00 cm (v) 19.00 cm

21. If the length, height and L.S.A of a cuboid are 19.00 cm, 18.00 cm and 1044.00 sq.cm respectively, its volume is



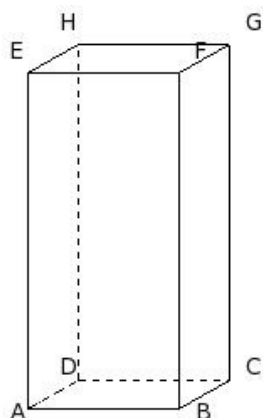
- (i) 3420.00 cu.cm (ii) 3160.00 cu.cm (iii) 3470.00 cu.cm (iv) 3240.00 cu.cm (v) 3550.00 cu.cm

22. If the length, breadth and volume of a cuboid are 9.00 cm, 6.00 cm and 378.00 cu.cm respectively, its T.S.A is



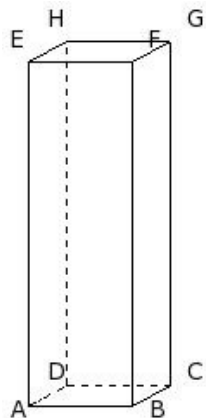
- (i) 303.00 sq.cm (ii) 301.00 sq.cm (iii) 340.00 sq.cm (iv) 332.00 sq.cm (v) 318.00 sq.cm

23. If the length, height and T.S.A of a cuboid are 9.00 cm, 20.00 cm and 766.00 sq.cm respectively, its L.S.A is



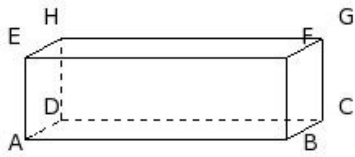
- (i) 640.00 sq.cm (ii) 645.00 sq.cm (iii) 637.00 sq.cm (iv) 658.00 sq.cm (v) 623.00 sq.cm

24. If the breadth, height and T.S.A of a cuboid are 5.00 cm, 20.00 cm and 500.00 sq.cm respectively, its L.S.A is



- (i) 448.00 sq.cm (ii) 427.00 sq.cm (iii) 452.00 sq.cm (iv) 425.00 sq.cm (v) 440.00 sq.cm

25. If the length, breadth and T.S.A of a cuboid are 16.00 cm, 5.00 cm and 370.00 sq.cm respectively, its volume is



- (i) 417.00 cu.cm (ii) 400.00 cu.cm (iii) 374.00 cu.cm (iv) 394.00 cu.cm

Assignment Key

1) (iii)	2) (v)	3) (iv)	4) (v)	5) (i)	6) (i)
7) (i)	8) (iii)	9) (iv)	10) (i)	11) (iii)	12) (ii)
13) (iii)	14) (iii)	15) (i)	16) (ii)	17) (ii)	18) (v)
19) (v)	20) (v)	21) (i)	22) (v)	23) (i)	24) (v)
25) (ii)					